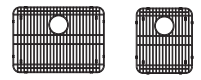
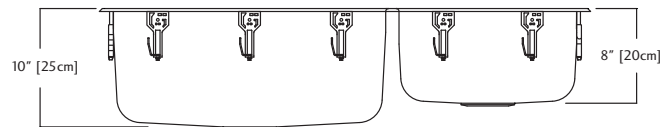
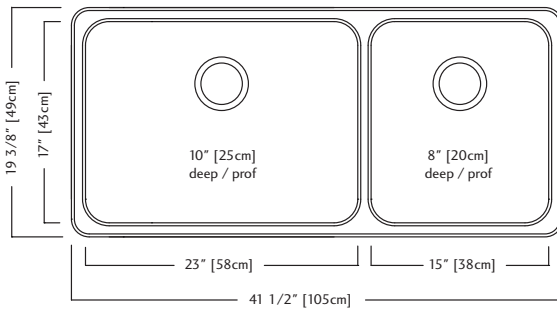




Optional Accessories



BGA2317S BGA1517S



QCA1942/10 SPECIFICATION

Model QCA1942/10 is a large bowl/small bowl rimback sink manufactured by Franke Kindred Canada Limited from 20 gauge, 18-10 stainless steel. Product has a bright mirror finished rim and satin finished bowls. Sink is fully undercoated and has the EZTorque installation system. Basket strainer waste fittings (3 1/2", 89 mm) and installation kit are included. Sink is backed with a limited buyer lifetime warranty.

- O.D. 19 3/8" x 41 1/2" x 10" (small bowl is 8" deep) 49 x 105 x 25 cm (small bowl is 20 cm deep)
- **Recommended for minimum 45" cabinet**

QCA1942/10 no drilling

Franke Kindred Canada Limited
 P.O. Box 190, 1000 Franke Kindred Road, Midland, Ontario, Canada, L4R 4K9 Phone: 866-687-7465 Fax: 800-361-8408