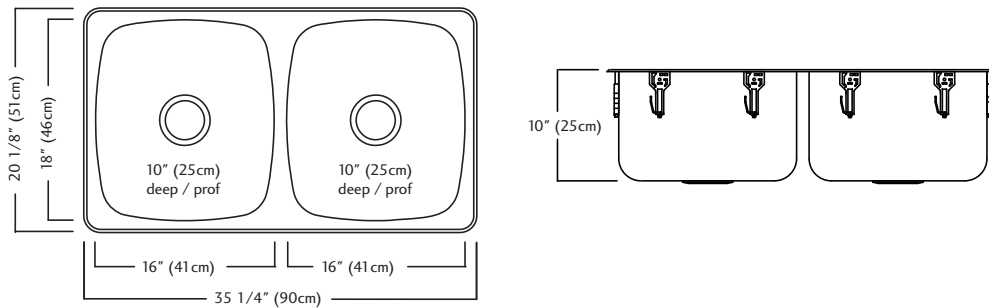


Optional Accessories



**QD2035/10 SPECIFICATION**

Model QD2035/10 is a double (two equal size) bowl rimback sink manufactured by Franke Kindred Canada Limited from 20 gauge, 18-8 stainless steel. Product has a bright mirror finished rim and satin finished bowl. Sink is fully undercoated and has the EZTorque installation system. Basket strainer waste fittings (3 1/2", 89 mm) and installation kit are included. Each bowl has 41 litre (10.8 U.S. gallon) capacity. Sink is backed with a limited buyer lifetime warranty.

- O.D. 20 1/8" x 35 1/4" x 10" (51 x 90 x 25 cm)
- **Recommended for minimum 39" cabinet**

QD2035/10 no drilling FUN# 113.0045.149

QD2035/10/1 1 hole - 1 1/2" diameter, on center FUN# 113.0045.150